

# TEMPORARY KITCHENS 123

PHONE: 800-205-6106  
WEBSITE: TEMPORARYKITCHENS123.COM

CONSULTANT:

**LIBERTY DRAFTING SERVICES**

DWG DESCRIPTION:

53' FOOD TRUCK  
GENERAL EQUIPMENT  
EXTERIOR ELEVATIONS

REV	DESCRIPTION	DATE	APPROVED
0	ISSUED FOR CONSTRUCTION	06/11/13	CDP

NOTE:  
ALL WELDS TO BE CONTINUOUS FILLETS SIZED AT 1/4 THE THICKNESS OF THE THINNER OF THE 2 METALS BEING WELDED UNLESS OTHERWISE NOTED.

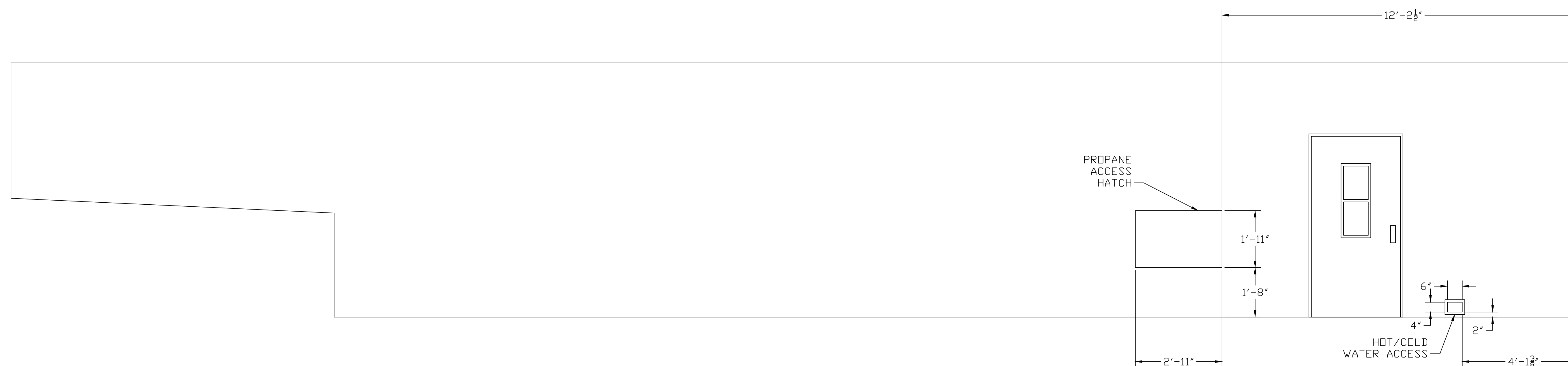
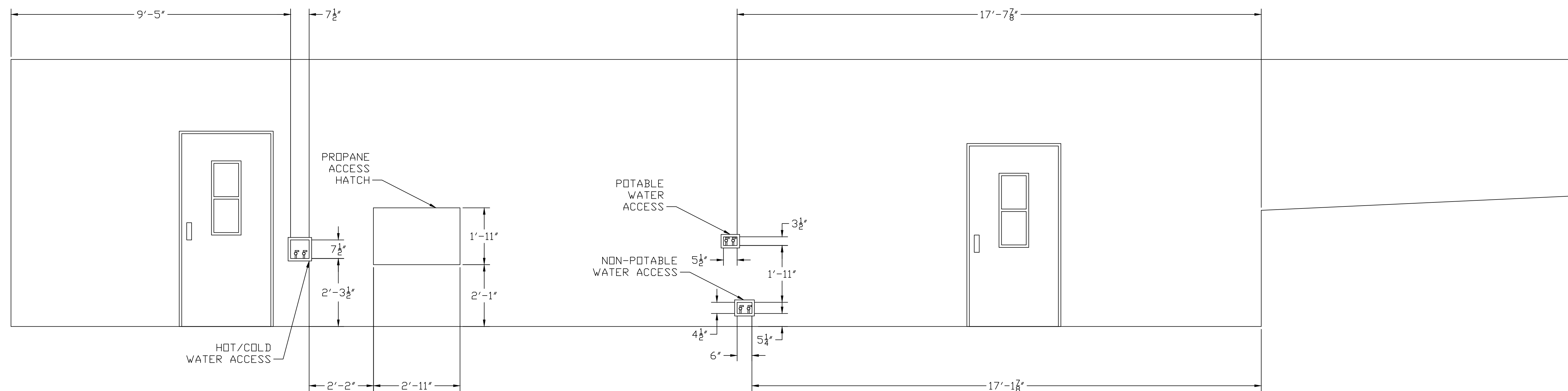
FINISH SYMBOLS	TOLERANCES
16/ POLISH	2 PLACE DIM. ± .010
32/ GRIND	3 PLACE DIM. ± .003
63/ FINE-MACH.	FRACTIONAL DIM. ± 1/64"
125/ SEMI-FINE	STRUCT. DIM. ± 1/16"
250/ MEDIUM	ANGLES: 0°-30°
500/ ROUGH	UNLESS OTHERWISE SPECIFIED

DO NOT SCALE DRAWING  
THIS DRAWING AND THE INFORMATION IT CONTAINS ARE THE PROPERTY OF TEMPORARY KITCHENS 123. IT IS NOT TO BE TRACED, COPIED OR REPRODUCED, NOR IS THE INFORMATION TO BE MISUSED IN ANY WAY. IT IS TO BE RETURNED TO TEMPORARY KITCHENS 123 UPON DEMAND.

DWG NO.:

**FT-53-A3.2**

DR.	BY:	DATE:	SHEET:	SCALE:	REV
D	CDP	6/11/13	3 of 3	NTS	0



VIEW E-E

VIEW D-D